

Strain Link without Amplifier DSRT 22DA

Features

- Strain link without amplifier
- Static and dynamic applications
- Measuring range ± 250 resp. $\pm 750 \mu\epsilon$



S/G Data

Strain gage type	Foil strain gage
Bridge resistance	Full bridge 350 Ω

Mechanical Data

Material	
- Housing	1.7225 chemically nickel-plated
- Cover	1.4301
Electrical connection	5 pin (M12 x 1)
Sensor stiffness	1 N/ $\mu\epsilon$ @250 mechanic 0,2 N/ $\mu\epsilon$ @750 mechanic
Overload capability	200 %

Environmental Conditions

Operating temp.range	0...+70 °C
Storage temp. range	-40...85°C
Vibration EN 60068-2-6	10 - 2000 Hz 10 g (Amplitude $\pm 0,75$ mm, 10 - 58 Hz)
Random IEC 60068-2-64	20 - 1000 Hz, 0,1 g ² /Hz
Schock IEC 60068-2-27	50 g / 11 ms
Protection class	IP 67

Delivery Contents

Mounting screws	4 pcs. M6 x 25 strength class 12.9
-----------------	---------------------------------------

Order Code

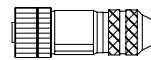
DSRT 22DA-S5-

0250 Measuring range 250 $\mu\epsilon$
0750 Measuring range 750 $\mu\epsilon$

Electrical Data

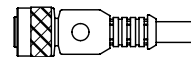
Measuring range	$\pm 250 \mu\epsilon$... $\pm 750 \mu\epsilon$ (1 $\mu\epsilon$ = 0,001 mm/m resp. 1 $\mu\epsilon$ equals 0,001 mm strain per meter)
Sensitivity	1,85 mV/V @ 750 $\mu\epsilon$ 0,93 mV/V @ 250 $\mu\epsilon$
Sensitivity tolerance typical	± 2 %
Linearity	< 0,5% FSR
Hysteresis	< 0,5% FSR
Repeatability	< 0,1% FSR (cycle to cycle)

Accessories (not included in delivery)



Series 713

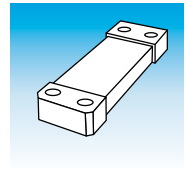
Connector female, 5 pin, part no. 135462



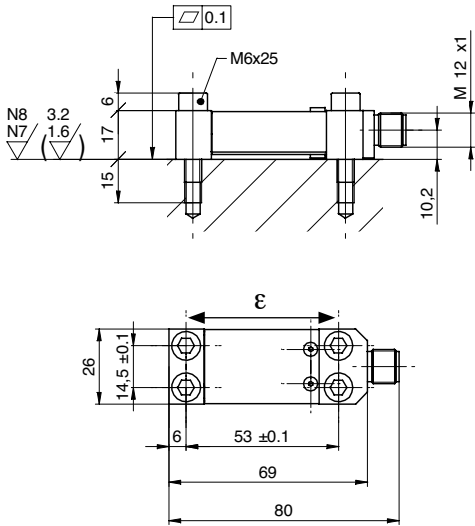
Connector female with cable, 5 pin
ESG 34CH0200G 5-pin (shielded) 2 m, PUR,
(Part No. 11046264)

ESG 34CH0500G 5-pin (shielded) 5 m, PUR,
(Part No. 11046266)

ESG 34CH1000G 5-pin (shielded) 10 m, PUR,
(Part No. 10155587)



Dimensions (mm)



Electrical Connections



Pin	Signal
1	E+
2	S-
3	E-
4	S+
5	n.c.
Housing	Shield

Control

